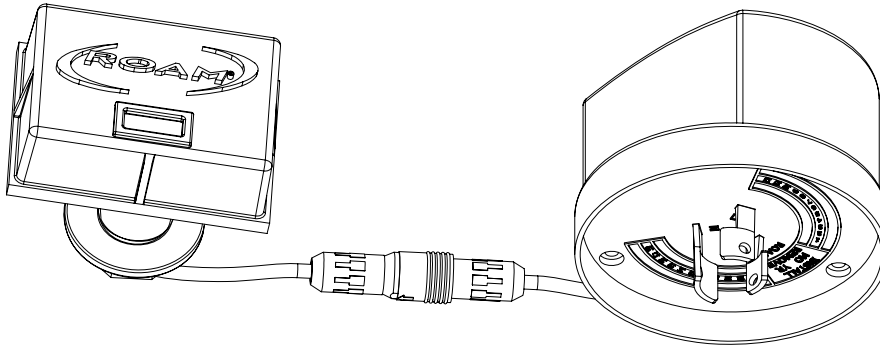
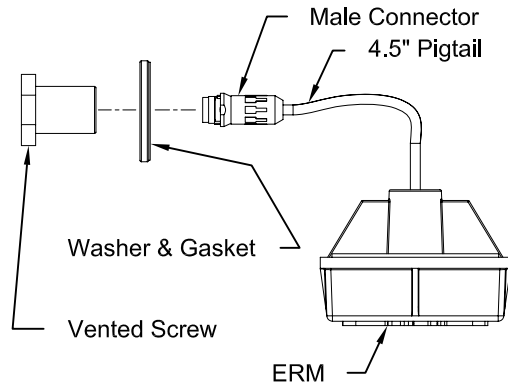
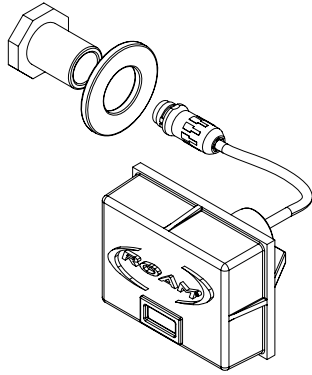


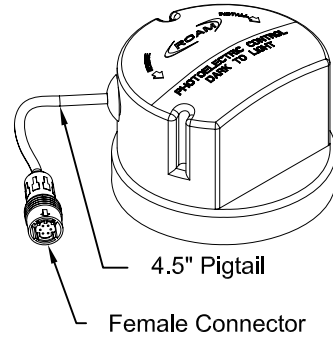
Decorative Utility Node Assembly



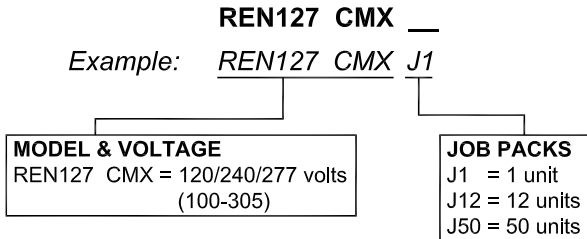
ERM - External Radio Module



Base Node



ORDERING INFORMATION:



FEATURES:

ROAM Diagnostics Overview:

- Fixture malfunction (lamp, ballast or starter failure)
- Cycling
- Day burner
- No report (communication, power or equipment failure)
- Unspecified malfunction
- Power (power, KWH, voltage or power quality alerts)

ROAM Node Features:

Photocontrol

- 40-400 watt fixtures; Voltage 100-305 VAC 60 Hz
- 320J MOV - 9500 amp surge protection
- Average Power consumption 1.94 watts
- Complies with ANSI C136.10-2006 and FCC part 15
- -40 to +85°C ambient; up to 90° interface per ANSI; Base rated at 120°C
- ANSI - standard 2.5-5 second turn off/ on delay
- Acrylic window, brass legs, black polycarbonate cover, neoprene gasket
- Filtered silicon light sensor
- Optical indicator to alert line crew of problem or malfunction

ROAM Node Features: (cont')

Wireless Enabled Communication

- 2.4GHz - IEEE 802.15.4 compatible
- FCC part 15 approved
- Range - 1,000 foot clear line of sight

Wireless Control

- Remote on/off control
- Grouped scheduling (energy savings)

Mounting

The decorative Utility ROAM node is designed with all the features of the standard ROAM node - but is designed to accommodate Utility Style Decorative Fixtures with an internal locking type photocontrol receptacle. The node will fit in the same space as a conventional locking type photocontrol.

The hardware consists of two major components and mounting hardware. The first component is the "base node" which is placed into the photocontrol receptacle inside the fixture. The second is the "External Radio Module" or ERM for short. The ERM is mounted through the viewing window that is typically located in a sidewall of the fixture housing. The ERM and base node are connected with a 9" pigtail. The ERM is mounted using the supplied vented screw and washer/gasket sets.

ROAM Enabled Node - Decorative Utility

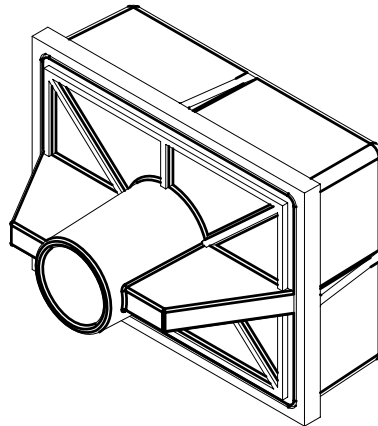
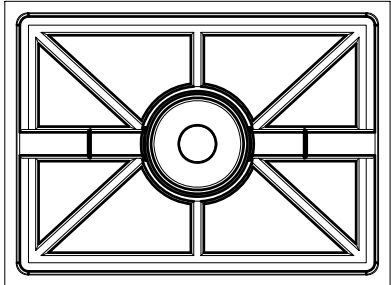
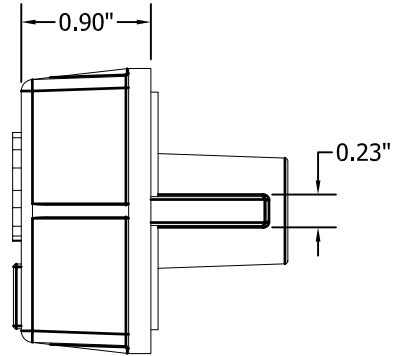
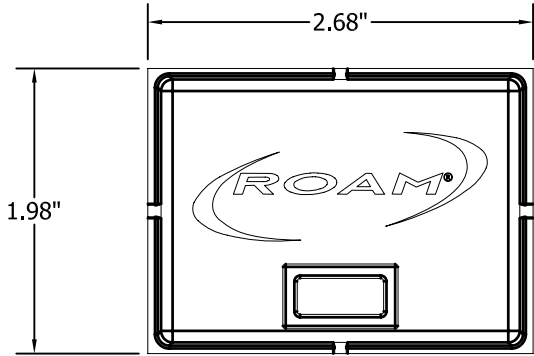
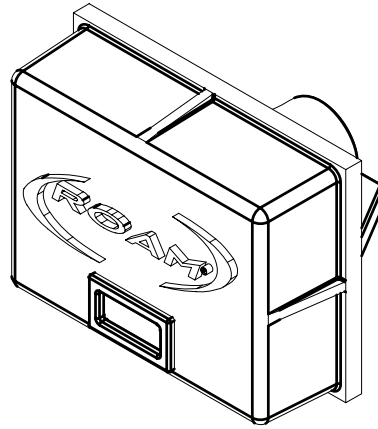
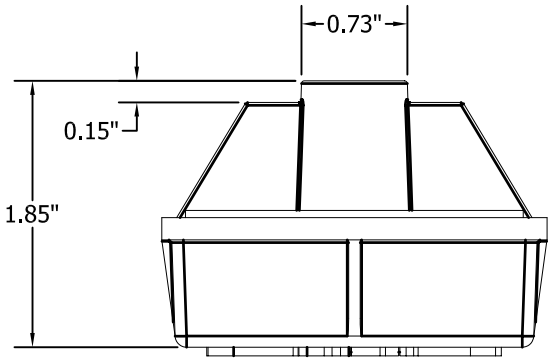


AcuityBrands.
Controls

THIS DRAWING, WHEN APPROVED, SHALL BECOME THE COMPLETE SPECIFICATION FOR THE MATERIAL TO BE FURNISHED BY ROAM ON THE ORDER NOTED ABOVE. A UNIT OF SIMILAR DESIGN MAY BE SUBMITTED FOR REVIEW. THIS PRINT IS THE PROPERTY OF ROAM AND IS LOANED SUBJECT TO RETURN UPON DEMAND AND UPON EXPRESS CONDITION THAT IT WILL NOT BE USED DIRECTLY OR INDIRECTLY IN ANY WAY DETRIMENTAL TO OUR INTERESTS, AND ONLY IN CONNECTION WITH MATERIAL FURNISHED BY ROAM.

ORDER #:	
TYPE:	
DRAWN:	BHH
DATE:	04-05-11
DWG #:	REN127CM

ERM Dimensions
(shown without 4.5" pigtail)



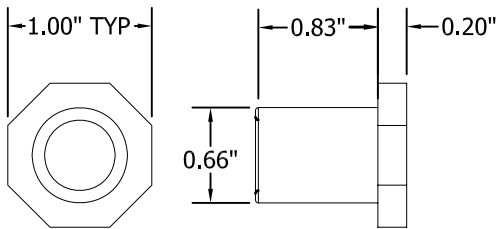
ROAM Enabled
Node - Decorative Utility



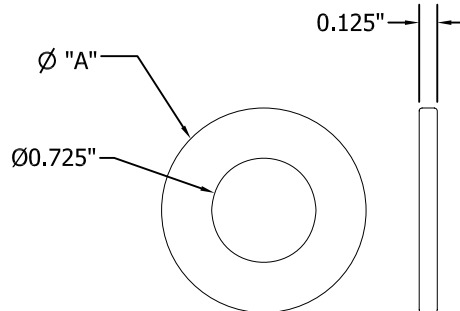
AcuityBrands.
Controls

THIS DRAWING, WHEN APPROVED, SHALL BECOME THE COMPLETE SPECIFICATION FOR THE MATERIAL TO BE FURNISHED BY ROAM ON THE ORDER NOTED ABOVE. A UNIT OF SIMILAR DESIGN MAY BE SUBMITTED FOR CONSIDERATION. THIS PRINT IS THE PROPERTY OF ROAM AND IS LOANED SUBJECT TO RETURN UPON DEMAND AND UPON EXPRESS CONDITION THAT IT WILL NOT BE USED DIRECTLY OR INDIRECTLY IN ANY WAY DETRIMENTAL TO OUR INTERESTS, AND ONLY IN CONNECTION WITH MATERIAL FURNISHED BY ROAM.

Vented Screw Dimensions



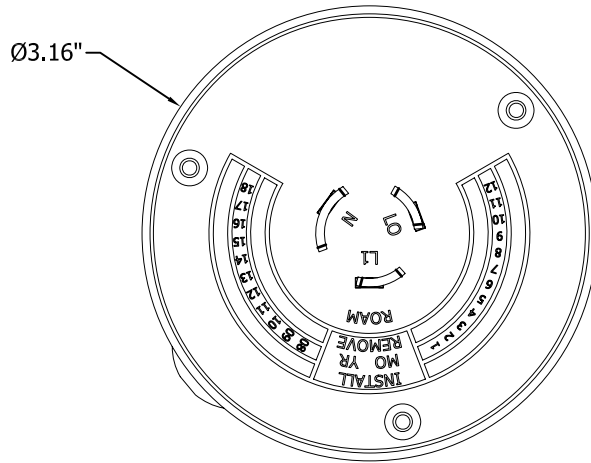
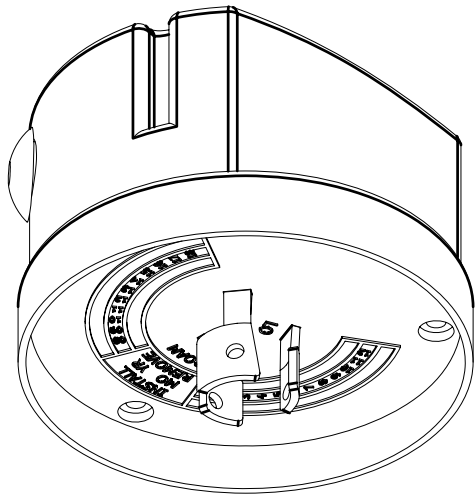
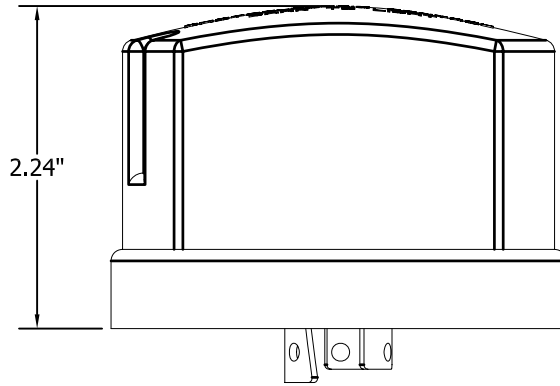
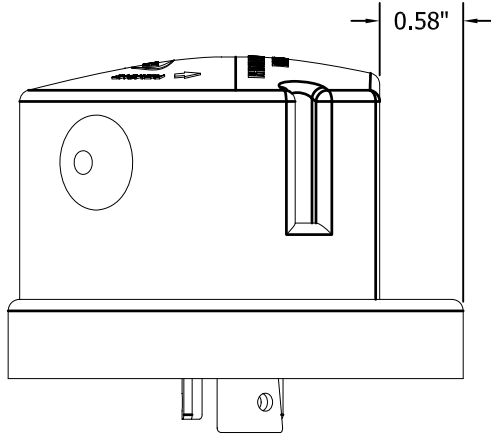
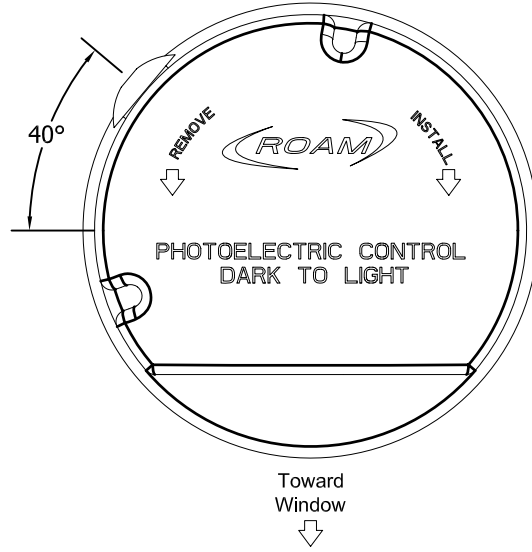
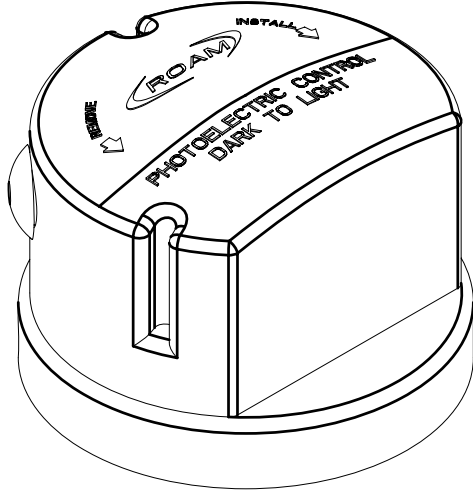
Washer Dimensions



Washer Size
"A"
1.22"
1.32"
1.42"
1.69"
1.79"
1.89"

ORDER #:
TYPE:
DRAWN: BHH
DATE: 04-05-11
DWG #: REN127CM

Base Node Dimensions
(shown without 4.5" pigtail)



ROAM Enabled
Node - Decorative Utility



AcuityBrands.
Controls

THIS DRAWING, WHEN APPROVED, SHALL BECOME THE COMPLETE SPECIFICATION FOR THE MATERIAL TO BE FURNISHED BY ROAM ON THE ORDER NOTED ABOVE. A UNIT OF SIMILAR DESIGN MAY BE ORDERED WITHOUT THIS DRAWING. THIS PRINT IS THE PROPERTY OF ROAM AND IS LOANED SUBJECT TO RETURN UPON DEMAND AND UPON EXPRESS CONDITION THAT IT WILL NOT BE USED DIRECTLY OR INDIRECTLY IN ANY WAY DETRIMENTAL TO OUR INTERESTS, AND ONLY IN CONNECTION WITH MATERIAL FURNISHED BY ROAM.

ORDER #:	
TYPE:	
DRAWN:	BHH
DATE:	04-05-11
DWG #:	REN127CM