

ROAM DCM

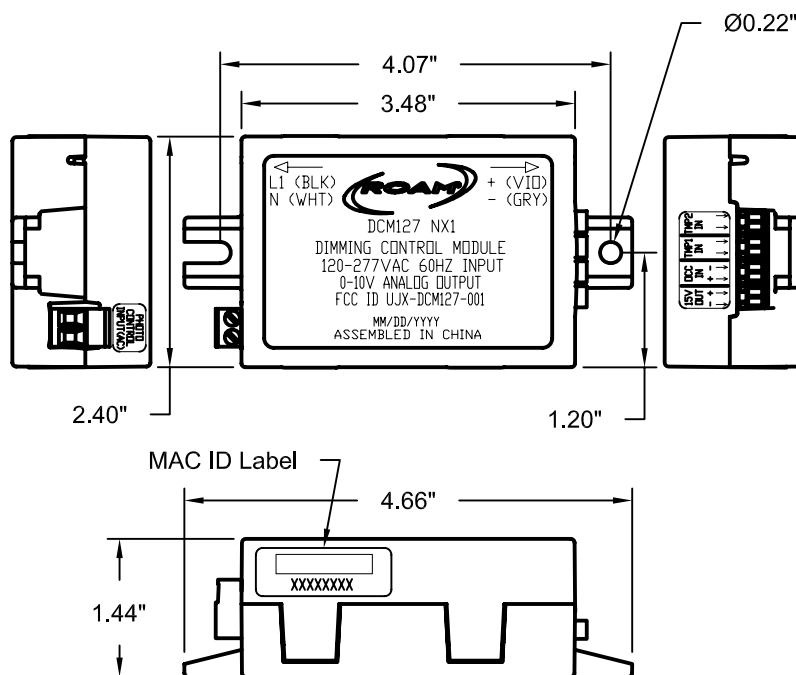
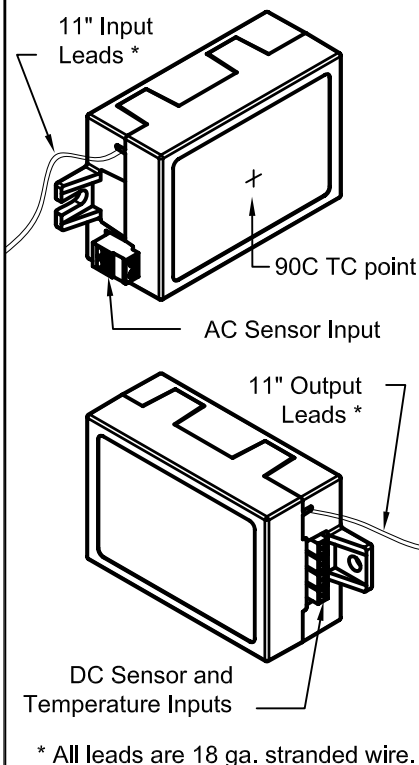
Dimming Control Module

120-277 Volt

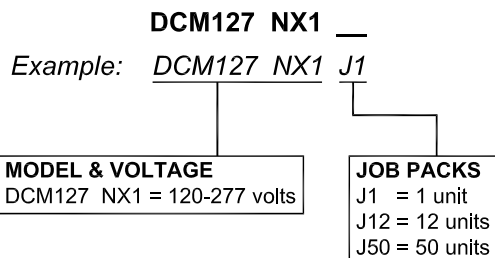


AcuityBrands.
Controls

Dimming Control Module (DCM) A device integrated into a light fixture that wirelessly communicates with the node and interfaces with a dimmable driver.



ORDERING INFORMATION:



FEATURES

DCM Overview

- DCM provides wireless dimming control for any fixture with 0 to 10V dimming ballast/driver
- Auxiliary sensor inputs (sensors not included)
- Wireless enabled communication
- 2.4 GHz - IEEE 802.15.4 compatible
- FCC Part 15 approved
- Multiple Driver Support: 0-10V output can support up to 4 LED drivers in parallel
- Supports full remote reprogramming and hardware reset
- Supports dimming events and calendar synchronized with fixture on/off events and calendar based control
- UL Recognized component

General

- Voltage 70-305 VAC 60Hz
- Average power consumption is 1.6 watts
- Maximum power consumption is 2.2 watts
- Operating Temperature Range: -40 to +85°C
- Remote continuous dimming control to any dim level from 0-100%

Auxiliary Sensor Inputs

- DC Sensor Input (e.g. Motion/Occupancy Sensor)
 - 15VDC @ 10mA auxiliary sensor input
- AC Sensor Input
 - 120-277VAC Auxiliary sensor input
- Temperature Sensor Inputs:
 - Supports two independent temperature sensor probes
 - Sensing temperature range: -40°C to 125°C

Data Streams:

- Automatic reporting of max., min. and average hourly temperature data
- Event Data:
 - Notification when temperature data exceeds specified thresholds
 - Notification when motion or occupancy sensors are triggered

Protection

- 2500V isolation input to output
- Short Circuit Protection: 0-10V output is short circuit protected, withstanding direct shorts indefinitely
- Surge protection: 9500A rated 320J (8x20usec)

THIS DRAWING, WHEN APPROVED, SHALL BECOME THE COMPLETE SPECIFICATION FOR THE MATERIAL TO BE FURNISHED BY ROAM ON THE DATE OF APPROVAL. THIS DRAWING IS THE PROPERTY OF ROAM AND IS LOANED TO THE CUSTOMER BY ROAM. IT IS TO BE USED ONLY FOR THE PROJECT AND IS SUBJECT TO RETURN UPON DEMAND AND UPON EXPRESS CONDITION THAT IT WILL NOT BE USED DIRECTLY OR INDIRECTLY IN ANY WAY THAT MIGHT BE DETRIMENTAL TO OUR INTERESTS, AND ONLY IN CONNECTION WITH MATERIAL FURNISHED BY ROAM.

ORDER #:

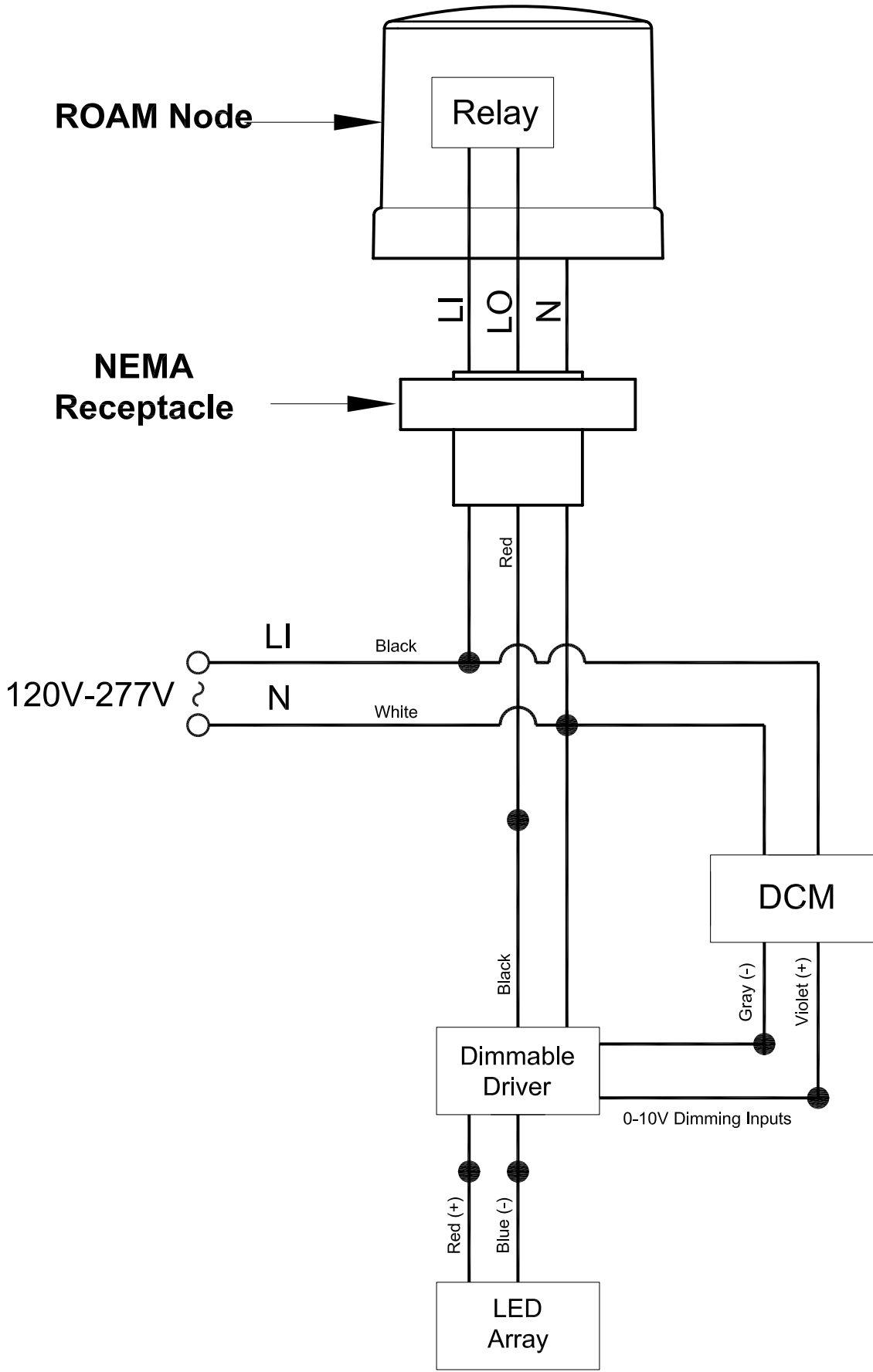
TYPE:

DRAWN: BHH

DATE: 04-05-11

DWG #: DCM127

DCM Wiring Diagram



ROAM DCM
Dimming Control Module
120-277 Volt



AcuityBrands.
Controls

THIS DRAWING, WHEN APPROVED, SHALL BECOME THE COMPLETE SPECIFICATION FOR THE MATERIAL TO BE FURNISHED BY ROAM ON THE BASIS OF THE INFORMATION CONTAINED HEREIN. ROAM SHALL NOT BE RESPONSIBLE FOR THE PROPER INSTALLATION OF THE MATERIAL SUPPLIED, BUT ONLY AFTER APPROVAL BY THE CUSTOMER IN WRITING. THIS PRINT IS THE PROPERTY OF ROAM AND IS LOANED SUBJECT TO RETURN UPON DEMAND AND UPON EXPRESS CONDITION THAT IT WILL NOT BE USED DIRECTLY OR INDIRECTLY IN ANY WAY THAT WOULD BE DETRIMENTAL TO OUR INTERESTS, AND ONLY IN CONNECTION WITH MATERIAL FURNISHED BY ROAM.

ORDER #:	
TYPE:	
DRAWN:	BHH
DATE:	04-05-11
DWG #:	DCM127